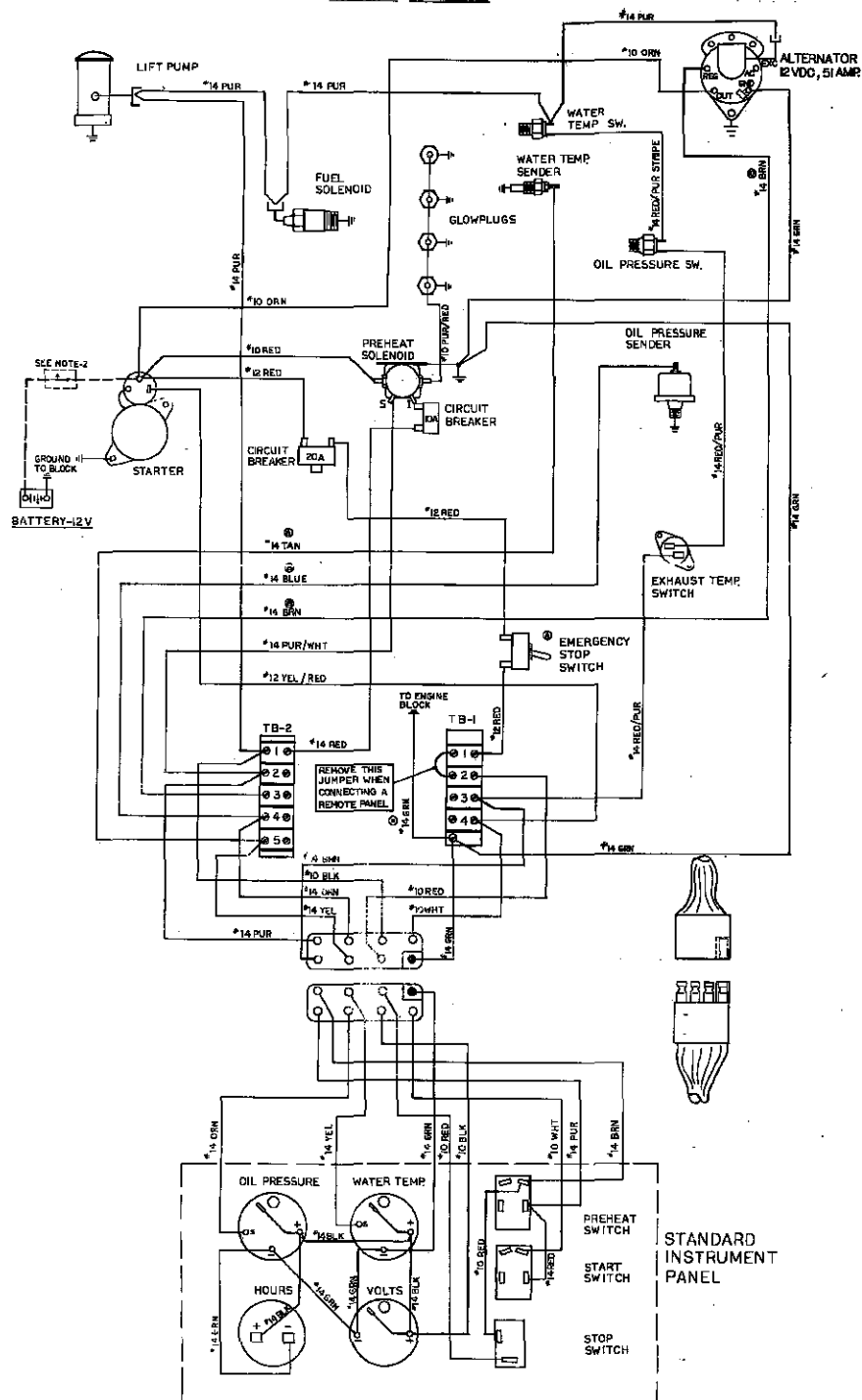
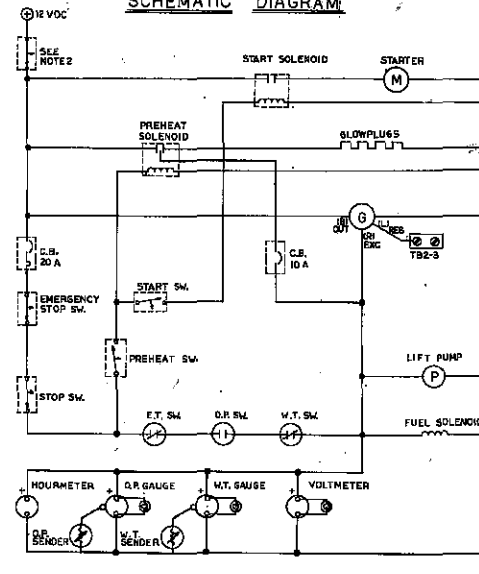


### WIRING DIAGRAM



### SCHEMATIC DIAGRAM



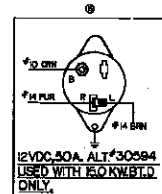
### STARTING AND STOPPING INSTRUCTIONS

- START:** ALWAYS PUSH PRE-HEAT SWITCH FIRST. HOLD FOR 15 TO 60 SECONDS AS REQUIRED.
- WHILE CONTINUING TO PUSH PRE-HEAT SWITCH, PUSH START SWITCH.
  - WHEN GENERATOR STARTS, RELEASE START SWITCH ONLY.
  - WHEN OIL PRESSURE REACHES APPROXIMATELY 20 PSI, RELEASE THE PRE-HEAT SWITCH. (THE PRE-HEAT SWITCH OVERRIDES THE LOW OIL PRESSURE SHUTDOWN CIRCUIT.)

**STOP:** PUSH AND HOLD THE STOP SWITCH UNTIL THE GENERATOR STOPS COMPLETELY.

### NOTES:

- THIS PRODUCT IS PROTECTED BY A MANUAL RESET CIRCUIT BREAKER LOCATED NEAR THE STARTER AND AS CLOSE TO THE SOURCE OF CURRENT AS POSSIBLE. EXCESSIVE CURRENT DRAW ANYWHERE IN THE INSTRUMENT PANEL WIRING OR ENGINE WILL CAUSE THE BREAKER TO TRIP. IN THIS EVENT MOST GENERATORS WILL SHUT DOWN BECAUSE THE OPENED BREAKER DISCONNECTS THE FUEL SUPPLY. THEREFORE THE BUILDER/OWNER MUST BE SURE THAT THE INSTRUMENT PANEL WIRING AND ENGINE ARE INSTALLED TO PREVENT CONTACT BETWEEN ELECTRICAL DEVICES AND SALT WATER.
- AN ON-OFF SWITCH SHOULD BE INSTALLED IN THIS CIRCUIT TO DISCONNECT THE STARTER FROM THE BATTERY IN AN EMERGENCY AND WHEN LEAVING THE BOAT. TWELVE VOLT DIESEL ENGINE STARTERS TYPICALLY DRAW 200 TO 300 AMPS WHEN CRANKING. THE DURATION OF INDIVIDUAL CRANKING CYCLES SHOULD NOT EXCEED 30 SECONDS. A SWITCH WITH A CONTINUOUS RATING OF 175 AMPS AT 12VDC WILL NORMALLY SERVE THIS FUNCTION, BUT A SWITCH MUST NEVER BE USED TO MAKE THE STARTER CIRCUIT.



REV	DATE	DESCRIPTION	BY	CHK
1	1-1-70	INITIAL PRODUCTION	WJS	WJS
2	1-14-70	REVISION TO LUBRICANT AND FUEL PUMP	WJS	WJS
3	1-22-70	REVISION TO STARTER AND PREHEAT SWITCH	WJS	WJS
4	1-23-70	REVISION TO OIL PRESSURE SWITCH AND FUEL PUMP	WJS	WJS
5	1-23-70	REVISION TO OIL PRESSURE SWITCH AND FUEL PUMP	WJS	WJS
6	1-23-70	REVISION TO OIL PRESSURE SWITCH AND FUEL PUMP	WJS	WJS

WESTERBERE CORPORATION	
AVON, MA 01901	
NTS	
WIRING DIAGRAM FOR KWBD/D	
150KWBD/D GENSETS	
10DEC86	36411